



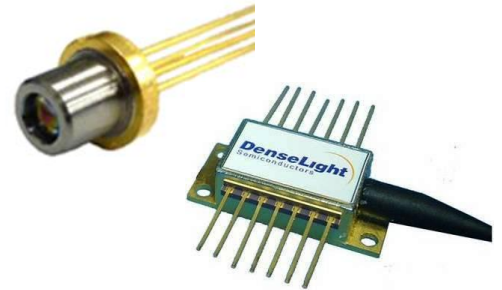
## 16xx nm DFB

The DL-DFB6XXXX series is an InGaAsP based distributed feedback laser series in available in a TO package, with an aspherical or ball lens.

1653nm wavelength for gas sensing is available in TO & chip form.

These devices have been optimized for telecommunication, test & measurements as well as photonic sensing applications (gas).

DenseLight's DFB chips are grown in our own wafer fabrication facility in Singapore.



## APPLICATIONS

**OTDR**

**Photonic Sensing (gas)**

**Biomedical Sensing**

**Telecommunication**

## PRODUCT OFFERING

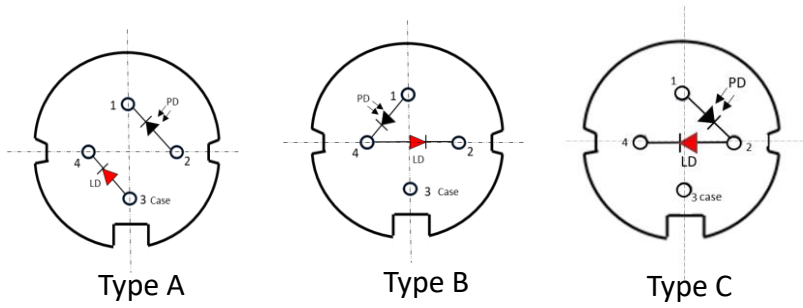
Part No	$\lambda$ nm	P <sub>o</sub> (mW)	Pkg
DL-DFB65003T-A	1650	3	TO-56
DL-DFB62503T-A	1625	3	TO-56
DL-DFB61003T-A	1610	3	TO-56
DL-DFB65306D	1653	6	Chip
DL-DFB65304D	1653	4	Chip
DL-DFB65303T-C	1653	3	TO

DenseLight has capability to do other wavelengths. Please contact your local sales or write to [info@denselight.com](mailto:info@denselight.com) for information

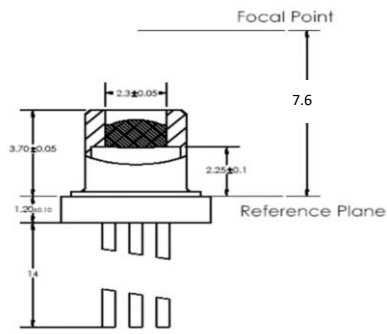
## FEATURES & PERFORMANCE

- Uncooled 16xxnm DFB laser
- Operating temperature from -5C to 70C
- 1653nm selection for Methane Gas Sensing
- Optical output min. 3mW (TO)

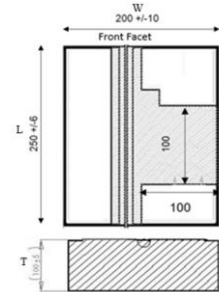
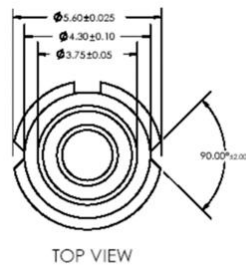
## PRODUCT OFFERINGS



## PHYSICAL & MECHANICAL SPECIFICATION



**TO-56**



**Chip**